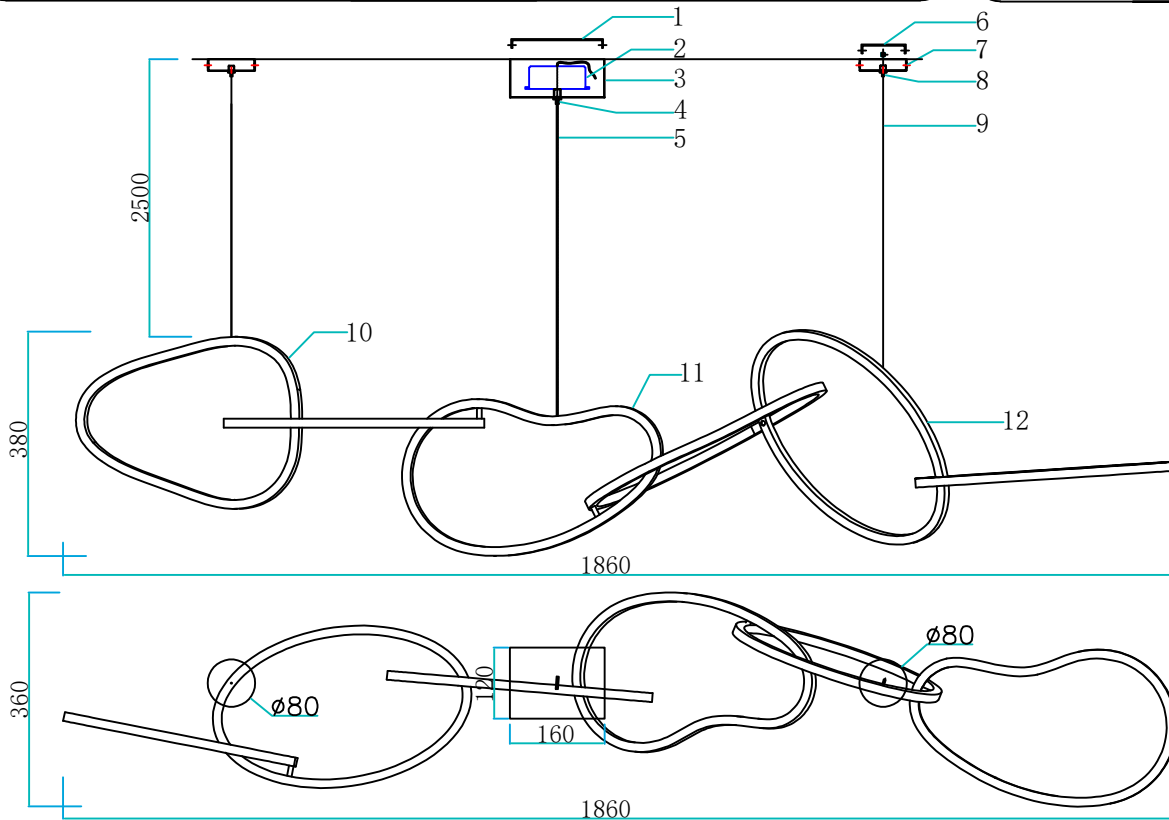
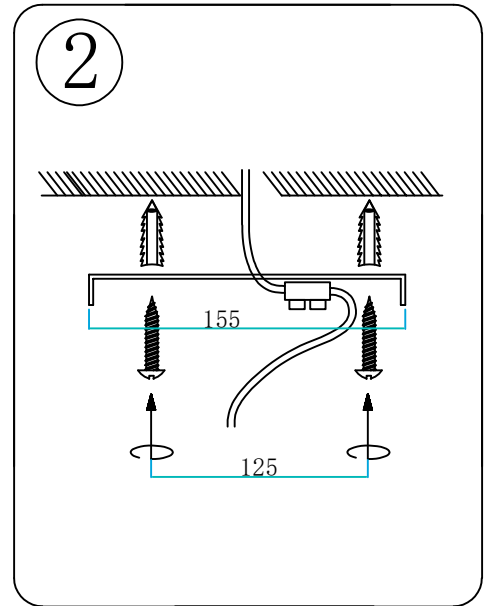
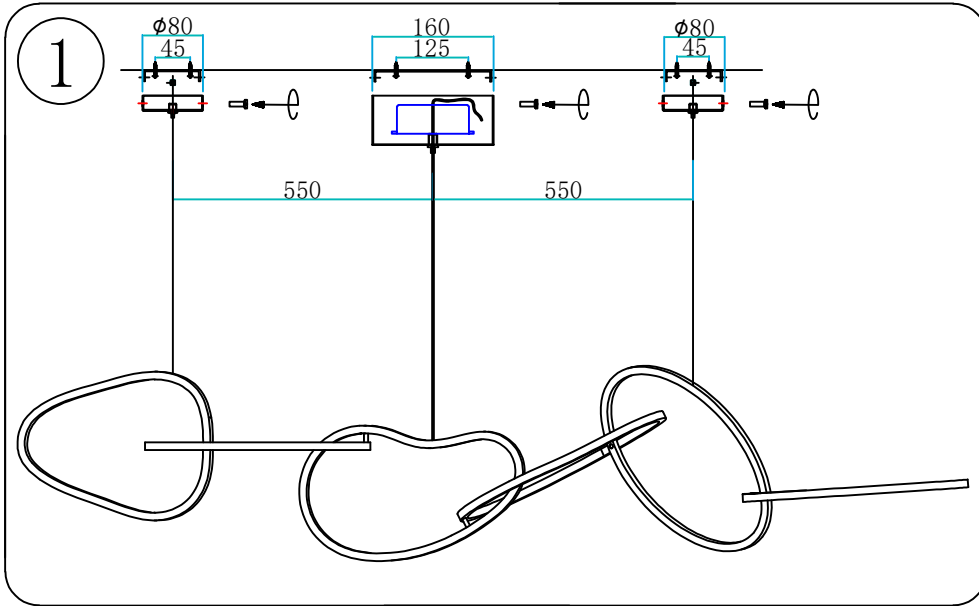


15326/S



- 1#: L155 hanging board 1PCS
- 2#: LED 24V/82W-100 Wactuator 1PCS
- 3#: 160*120*H65 Stainless steel square box 1PCS
- 4#: M12 Tension head 1PCS
- 5#: Transparent main line 1PCS
- 6#: L75 hanging board 2PCS
- 7#: $\phi 80$ *H20 Straight-edged plate 2PCS
- 8#: M10 Tension head 2PCS
- 9#: steel wire 2PCS
- 10#: L1078*382*288*15*15mm stainless steel ring 1PCS
- 11#: L1172*450*265*15*15 stainless steel ring 2PCS
- 12#: L1132*440*270*15*15 stainless steel ring 3PCS